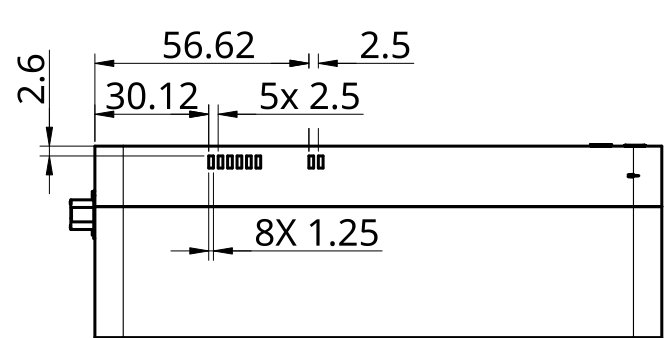
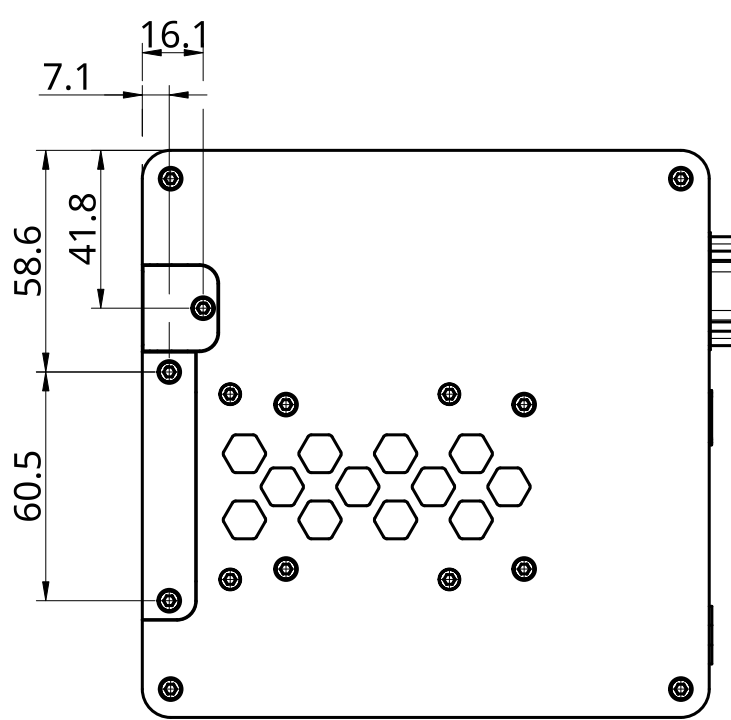
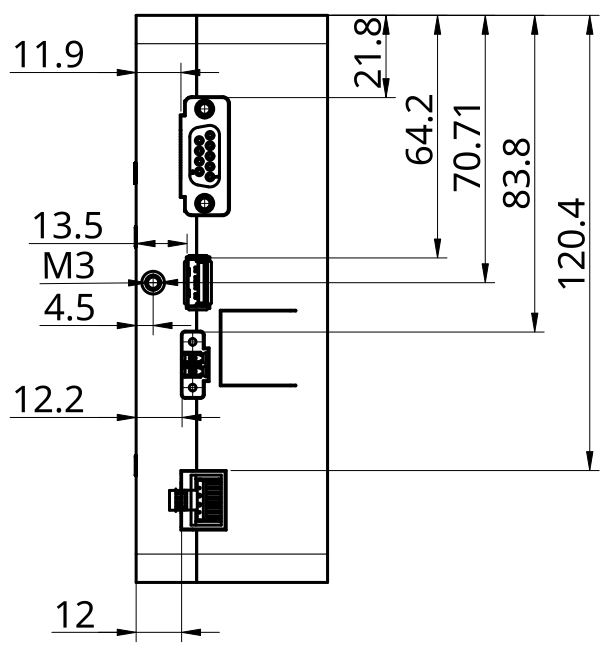
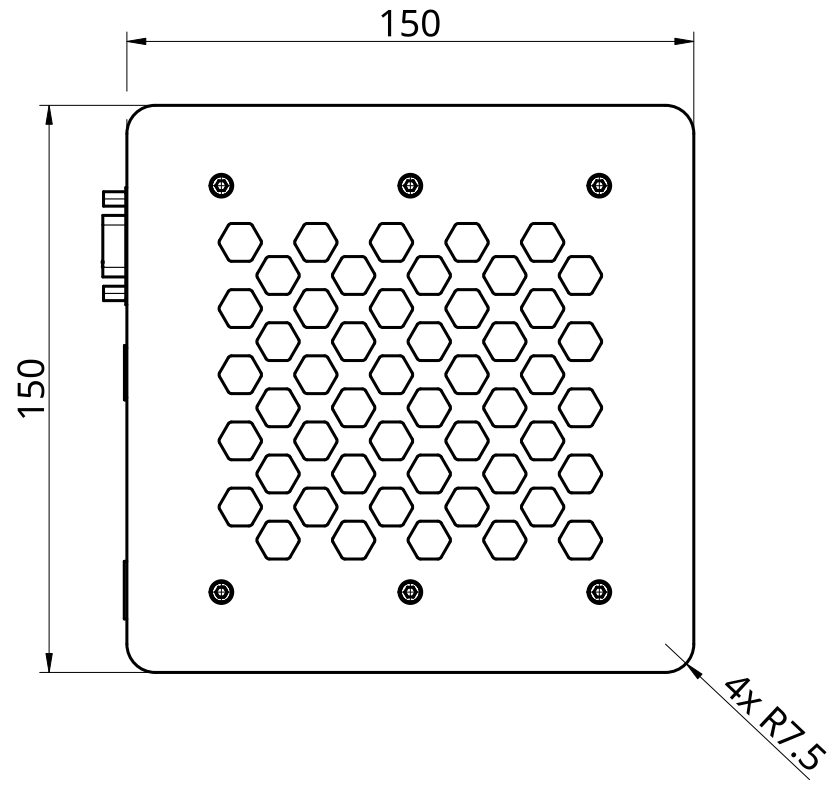
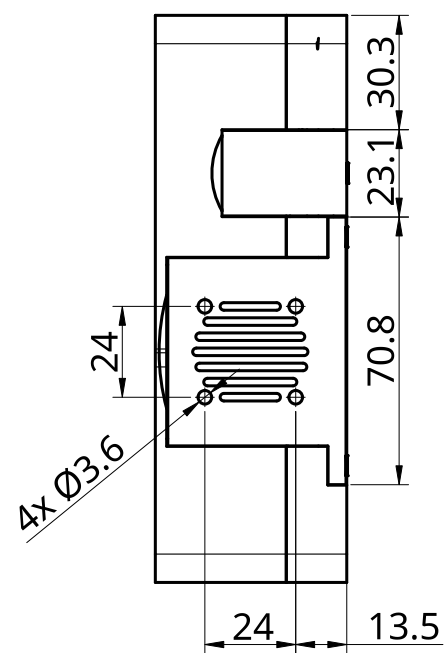
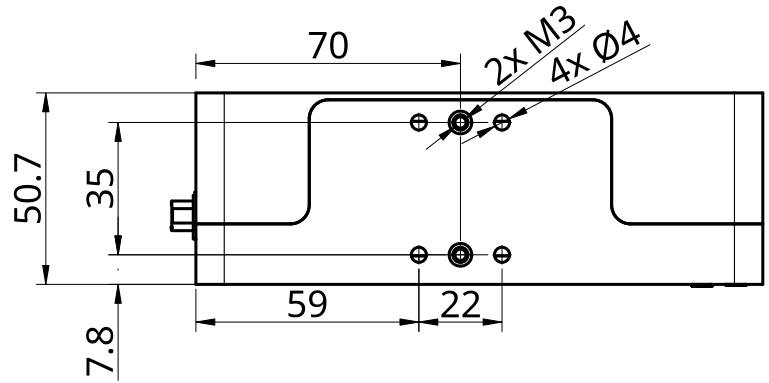


8 7 6 5 4 3 2 1

F
E
D
C
B
A

F
E
D
C
B
A



FOR FURTHER DETAILS REFER TO STEP FILE

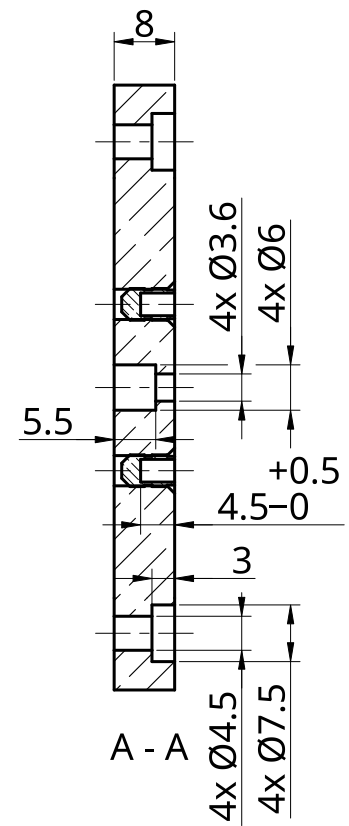
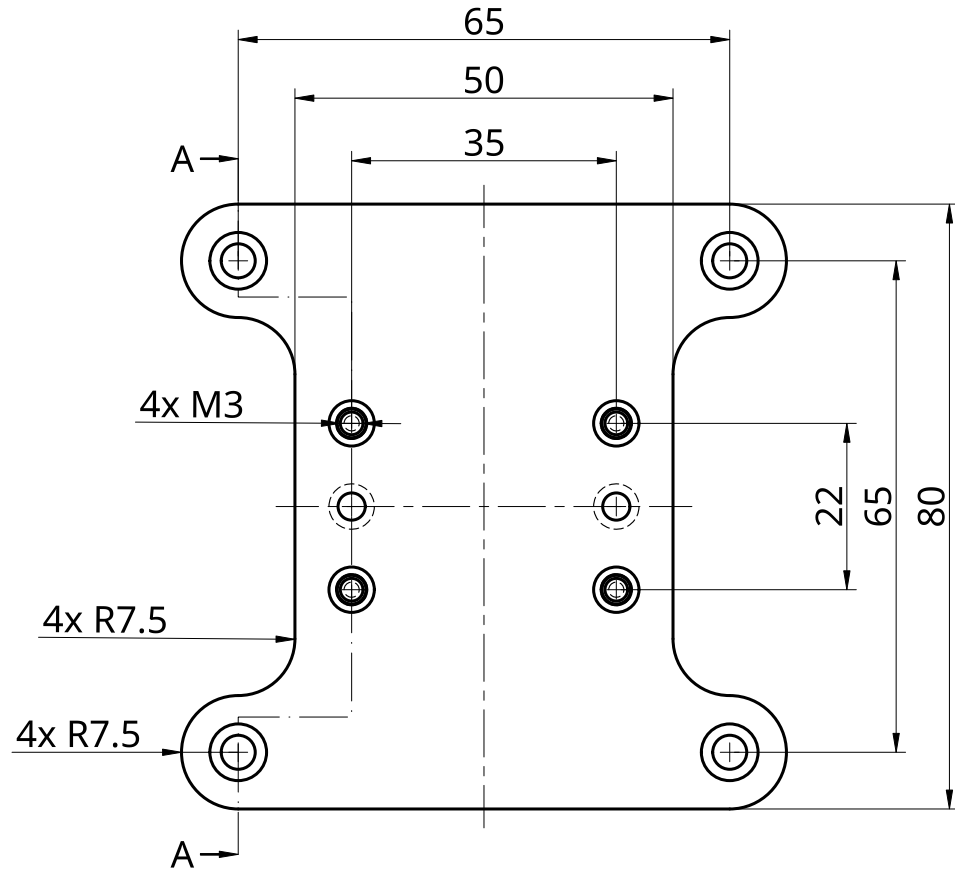
UNLESS OTHERWISE SPECIFIED, DIMENSIONS ARE IN MILLIMETERS ANGULAR = ±1° LINEAR = ±0.5 mm	NAME	SIGNATURE	DATE		
	DRAWN	LUKAS GELO	2023-04-30		
	CHECKED			TITLE	
DO NOT SCALE DRAWING				BringAuto Pi V4.1 Box Assembly	
BREAK ALL SHARP EDGES AND REMOVE BURRS				SIZE	DWG NO.
FIRST ANGLE PROJECTION	MATERIAL	FINISH		A3	BAAHW-124-0100
				SCALE	WEIGHT
				1:2	0.4 KG
				SHEET	1 of 4
					REV. 2

8 7 6 5 4 3 2 1

6 5 4 3 2 1

D

D





C

C

B

B

FOR FURTHER DETAILS REFER TO STEP FILE

UNLESS OTHERWISE SPECIFIED, DIMENSIONS ARE IN MILLIMETERS ANGULAR = ±1° LINEAR = ±0.5 mm SURFACE FINISH $\sqrt{Ra\ 6.3}$ DO NOT SCALE DRAWING BREAK ALL SHARP EDGES AND REMOVE BURRS FIRST ANGLE PROJECTION 		NAME	SIGNATURE	DATE	 BringAuto Pi V4.1 Mount			
	DRAWN	LUKAS GELO		2023-04-30				
	CHECKED				TITLE			
	APPROVED				SIZE	DWG NO.	REV.	
		MATERIAL	FINISH	A4		BAAHW-124-0003	2	
	PETG	raw 3D print	SCALE	1:1	WEIGHT	0.048 KG	SHEET	2 of 4

6 5 4 3 2 1

A

A

6 5 4 3 2 1

D

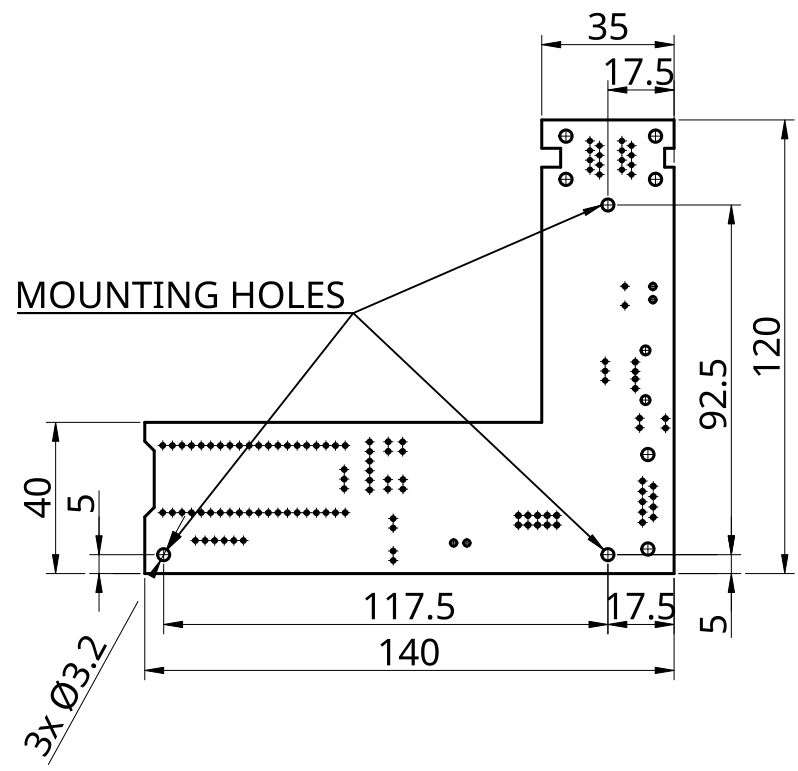
D

C



C

B

B



FOR FURTHER DETAILS REFER TO STEP FILE

UNLESS OTHERWISE SPECIFIED, DIMENSIONS ARE IN MILLIMETERS ANGULAR = ±1° LINEAR = ±0.2 mm SURFACE FINISH $\sqrt{Ra\ 3.2}$ DO NOT SCALE DRAWING BREAK ALL SHARP EDGES AND REMOVE BURRS FIRST ANGLE PROJECTION 		NAME	SIGNATURE	DATE	 BringAuto Pi V4.1 Watchdog PCB		
	DRAWN	LUKAS GELO		2023-04-30			
	CHECKED				TITLE		
	APPROVED				SIZE	DWG NO.	REV.
		MATERIAL	FINISH		A4	BAAHW-124-0004	2
	POLYCARBONATE			SCALE	WEIGHT	SHEET	
				1:2	0.015 KG	3 of 4	

A

A

6 5 4 3 2 1

6 5 4 3 2 1

D

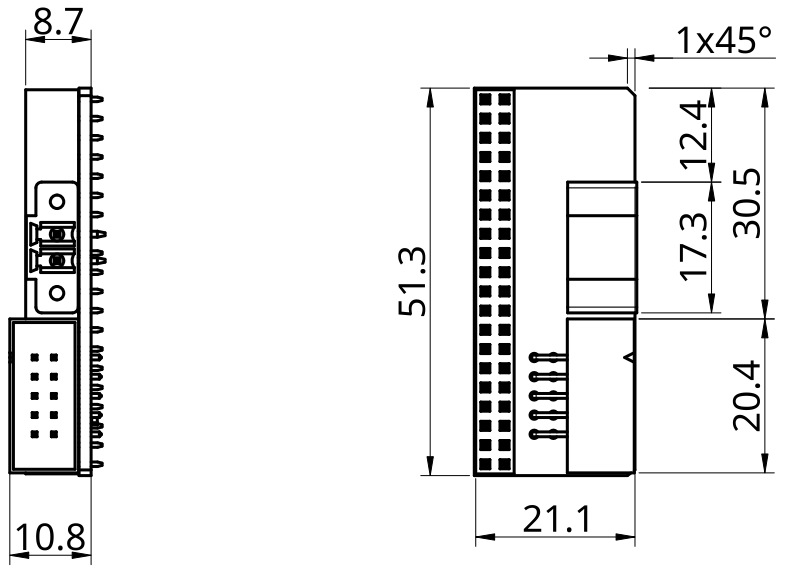
D

C

C

B

B



FOR FURTHER DETAILS REFER TO STEP FILE

UNLESS OTHERWISE SPECIFIED, DIMENSIONS ARE IN MILLIMETERS ANGULAR = ±1° LINEAR = ± 0.2 mm	NAME	SIGNATURE	DATE			
	DRAWN	LUKAS GELO	2023-04-30			
	CHECKED			SIZE	DWG NO.	REV.
	APPROVED			A4	BAAHW-124-0002	2
DO NOT SCALE DRAWING	MATERIAL	FINISH		SCALE	WEIGHT	SHEET
BREAK ALL SHARP EDGES AND REMOVE BURRS				1:1	0.01 KG	4 of 4
FIRST ANGLE PROJECTION						

A

A

6 5 4 3 2 1